

X4°



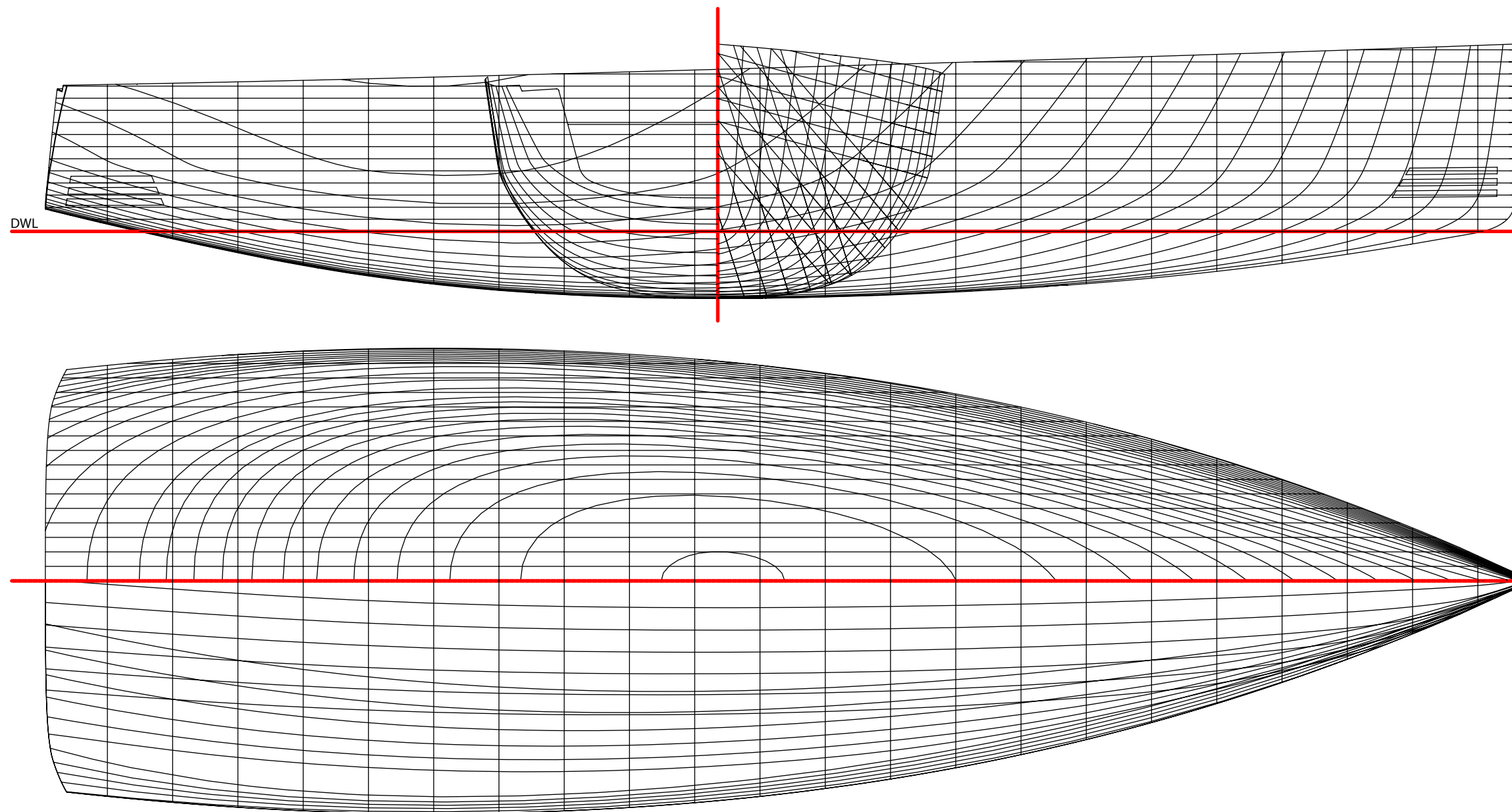


POCKET LUXURY

The all new X4⁰ will be the smallest model in the pure X range, blending quality, performance and styling with cruising capability.

Hot out of the X-Yachts Design Office comes the X4⁰, a forty-foot performance cruising yacht that is just as capable for some serious mileage as it is blasting around the cans at the weekend. The new baby X-Yacht joins the hugely successful and critically acclaimed Pure X Range.

The design philosophy was very clear from the outset - like all our yachts, we place a huge emphasis on giving the owner a superb and comfortable sailing experience, on a yacht that is easy to handle by all the crew.



THE STORY BEHIND THE DESIGN

The X4⁰'s hull is designed to meet the demands from sailors who want to enjoy sailing in a wide range of conditions. Achieving comfort when sailing to windward in a rough sea was an essential prerequisite in the X4⁰ hull design. Generous stability, modern displacement and a powerful yet easy to control sail plan offers smooth sailing through the waves.

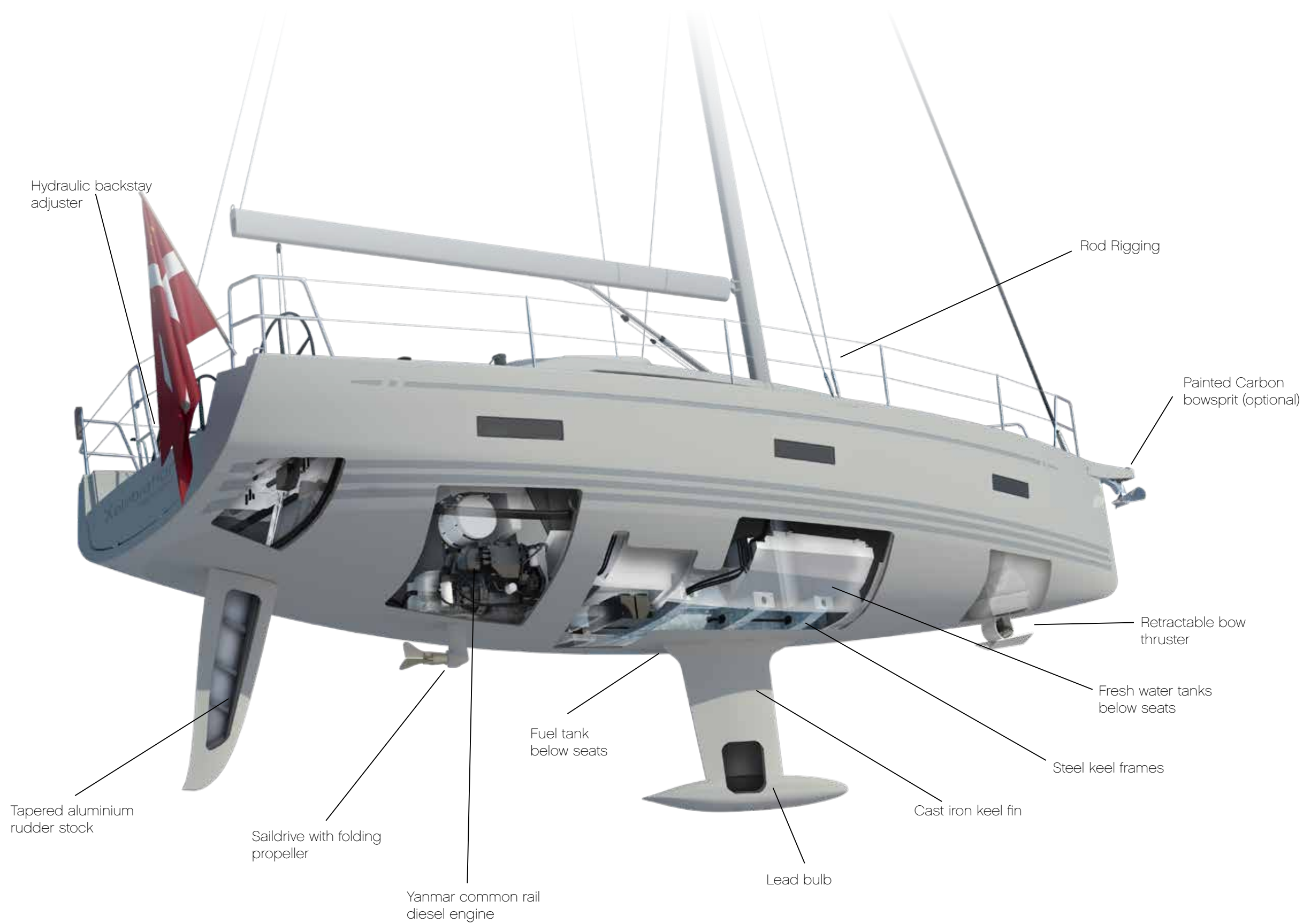
Unlike mainstream modern yacht designs, the X4⁰ is meant to be enjoyable and easy to handle in more than just 'reaching' conditions. A lot of focus was put on the upwind performance and sea keeping when choosing design parameters and various aspect ratios. This combined with the thoroughbred X-Yachts racing heritage delivers a new generation of world class cruising.

The X4⁰ hull construction incorporates leading edge technology such as vacuum epoxy infused E-glass fibres in a sandwich M-foam construction, giving the hull the rigidity required to put the mast and rig in tension with very little deformation, avoiding "pumping".

Using E-glass instead of carbon skins delivers high overall strength and stiffness whilst producing a healthy resistance to local impact.

A high ballast ratio instead of an extremely beamy hull shape gives a comfortable stability. Wetted surface area and friction drag is minimised, essential for light wind performance.





X-QUALITIES

The X4⁰ combines many of the qualities found in both the Xc and Xp range into one perfectly formed yacht.

As with all X-Yachts weight distribution is key to performance and comfort at sea. On the X4⁰ all the heaviest equipment has been placed as low as possible and as close to the centre line as possible. This greatly reduces pitching and slamming as well as increasing the righting moment.

The steel frame synonymous with X-Yachts also features on the X4⁰. The steel frame is bolted to the inside of the hull and takes all the loads from the keel and mast. This keeps the yacht stiff, strong and safe.

The X4⁰ has three keel options to choose from, and on all three a lead bulb is encapsulated in a reinforced epoxy e-glass shell for improved performance.

The recessed through hull fittings, folding propeller and retractable bow thruster all ensure minimal drag and resistance.

Whether opting for the standard Aluminium rig or upgrading to the carbon mast, rig control is hugely important. The X4⁰ is fitted with discontinuous rod rigging to allow for a high tension rig that gives good control of the rig and sail shape.

The engineering installations on board the X4⁰, are all fitted by our team of engineers with over 30 years experience ensuring everything is precision fitted to the highest standards.

All the deck equipment on board is supplied by industry leading suppliers ensuring every aspect of your X4⁰ is reliable, easy to use and safe.



Medium bathing platform. Foldable with mechanical hoisting system and attachment point for separate bathing ladder.



Large bathing platform. Foldable with mechanical hoisting system and attachment point for separate bathing ladder.



Far Above: Integrated teak foot chocks provide a safe stable platform for the helmsman to stand when the boat is heeled. Foot chocks can be folded flush into the cockpit floor when not in use.

Above: Spacious cockpit locker offers ample storage.

LIGHT, STRONG AND STIFF

With the introduction of the X-65 in 2007, X-Yachts started to infuse hulls for performance yachts utilising epoxy resin. Epoxy infusion construction offers fantastic control over the laminate allowing it to be optimised to maximise strength and stiffness, whilst saving weight.

In the X4⁰ all weight saved is used to increase the yacht's stability enabling the crew to have a more relaxed time and to feel safer and more comfortable. The fact, that the hull is cured, baked at

high temperatures for almost 24 hours, not only optimises the hull material properties but also minimises the risk of the darker coloured hull surfaces to suddenly start posturing, losing the surface finish.

With over 10 years of experience building epoxy infused yachts, X-Yachts took the decision in 2018 to build all models using this technology, one of the only yacht builders to do so.

MULTIPLE CHOICE

The X4⁰ comes with a variety of optional additions on deck to ensure you can perfectly tailor the yacht to suit your personal needs and style.



TEAK DECKS

Laid teak decks with seamless joints can be added to the side decks and coachroof.



COMPOSITE WHEELS

Composite wheels give a modern look to the cockpit of the X4⁰



FIXED WINDSCREEN

The optional canvas sprayhood fits neatly into a recessed trough when not in use. For extra protection from the elements you can also opt for a fixed windscreen with the canvas sprayhood fixed to this.



FOLDING CLEATS

Upgrade to folding mooring cleats for a modern sleek style



COLOUR VARIATIONS

Choose between light grey, black grey or white hull with either pure white, light grey, black grey or dark blue waterlines



BIMINI & COCKPIT TENT

The X4⁰ has a range of bimini and cockpit tent options. The cockpit tent attaches to the back end of the sprayhood and can either be used as a full tent with sides or as a simple and easy to fit bimini.



ELECTRIC WINCHES

The Harken winches can be upgraded to be electrically powered for easy short handed sailing



NAVIGATION EQUIPMENT

We factory fit a range of state of the art navigation equipment.

BOWSPRIT OPTIONS



Standard GRP cowl with integrated anchor fitting.



Optional painted carbon bowsprit with integrated anchor fitting.



Optional carbon bowsprit, shown without anchor.

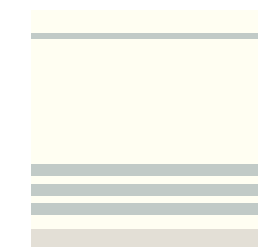


HULL STYLE OPTIONS

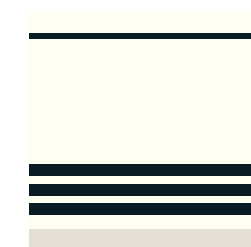
HULL TRIM STRIPES

The standard X4⁰ comes in a white gelcoat with light grey (RAL7035) waterlines and sheerline stripes.

However we have options for the boat to come in a number of colour-ways displayed below.



White hull with light grey stripes



White hull with black grey stripes



White hull with dark blue stripes



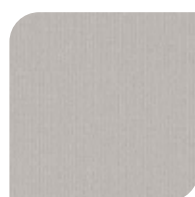
Light grey hull with pure white stripes



Black grey hull with pure white stripes

EXTERIOR FABRICS

Choose between light grey (Swela 37362), dark grey (Swela 37365), dark blue (Swela 37395) or light brown (Swela 37329) for sprayhood, bimini, cockpit tent, cockpit cushions, boom cover, forestay cover, cockpit table and wheel covers. Other colours on request.



Light grey
(Swela 37362)



Dark grey
(Swela 37365)



Dark blue
(Swela 37395)



Light brown
(Swela 37329)



Above: Standard white hull with light grey waterline and sheer line stripes.



Far Above: Instead of a traditional lifting/lowering washboard, we have designed a pair of side-hinged doors which work nicely to conceal the halyards and trim lines in the purpose-built halyard recesses either side of the entrance.

Above: Laid teak decks (optional is Flexiteek, as shown on image) with seamless joints can be added to the side decks and coach roof.



Optional Flexiteek on cockpit sole and seats.
Optional composite wheels.

DECK LAYOUT

The standard deck layout comes with: 4 winches, two halyards, self-tacker sheet and control line winches next to the entrance, and two main sheet winches aft of the cockpit backrest coamings within reach of the helmsman. The deck has an integrated recessed self-tacker track for an 88% jib.

There is an option for coach roof top longitudinal Genoa tracks and two dedicated Genoa sheet winches on top of the cockpit backrest coamings, enabling the Genoa size to go up to 106% for improved light wind performance.

The cockpit space on board the X4⁰ is not only designed to be functional and safe while at sea but has also to create a luxurious outdoor living space.

The twin wheels and recessed mainsheet track making the cockpit area spacious and uncluttered.

The teak cockpit sole and seats come as standard on the X4⁰. Optional is a cockpit table which is a removable easily stowable version offering plenty of space for the family.

INTERIOR CRAFTSMANSHIP & HIGH QUALITY MATERIALS

The interior of the X4⁰ is designed to maximize the space available, creating a functional, safe and stylish user experience below deck. Once again, the interior design will have Danish design flair and carpentry at its very best. The craftsmanship and detailing will be of a very high standard, being both traditional but with a modern appearance.

There will be plenty of natural light and ventilation throughout the entire accommodation.

A Nordic oak veneer comes as standard on all bulkheads and furniture, with teak laminate on floorboards.

All veneers are hand-selected in Italy by our specialists by one of the most exclusive suppliers for the marine market for high quality yachts.

When combined with the top-quality craftsmanship X-Yachts is famous for, this translates to affordable luxury.

As with all models in the range, there are a large number of options for soft furnishings, and there are optional upper lockers for the owners and in the saloon.





GALLEY

The galley comes as standard with large double pull-out bins, drawers and other storage, top loaded fridge with gas strut, double sink, space for additional front loaded fridge, 3 burner gimbaled ENO oven, special space for optional Nespresso coffee machine, space for optional microwave oven and plenty of storage space for cooking utensils, food, crockery and cutlery.



Chart table open, three cabin layout.



CHART TABLE

In the 2-cabin layout, customers will have a large dedicated forward-facing chart table, with ample space for electronics.

In the 3-cabin layout, a smart fold-away chart table was developed, where, when not in use the chart table is folded away, to conceal electronics, charts, etc.



Chart table closed, three cabin layout.



SPACIOUS SALOON

The well-proportioned saloon gives the yacht a spacious feel, but well-positioned hand rails and good furniture placement ensure it is always safe and easy to move around no matter the heel angle.

The table is a beautifully crafted piece of veneered furniture, including a laminated edging. The hull port-lights, along with the two large deck hatches allow for plenty of light for a spacious and airy environment.



OWNER'S CABIN

The spacious owner's cabin features a large floating effect double berth. The berth can be lifted, supported by gas struts, to access a large storage compartment below.

The owner's cabin has two wardrobes as standard and optional freeboard lockers.

These descriptions, illustrations and dimensions are not contractual binding.



Right: Head with separate shower compartment. Nordic oak veneer and countertop ceramic bowl.

INTERIOR LAYOUTS



Two Cabin layout

The two cabin layout has a head compartment with separate shower compartment and features a forward-facing navigation station with full length sofa.



Three Cabin layout

The three cabin layout has an innovative aft facing chart table that can be neatly stowed out of the way when not in use. The three cabin layout is available from Spring 2020.

INTERIOR SURFACES

The X4⁰ comes as standard with Nordic Oak furniture, teak laminated floor and white corian tops in the galley. However with many options to choose from you can create an interior style that suits you.

WOOD SURFACE



Nordic Oak Veneer (Standard)



Teak Veneer

FLOORBOARDS

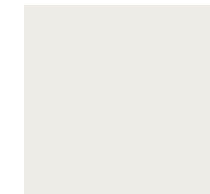


Teak Laminate (Standard)



Walnut Laminate

GALLEY WORK TOPS



Camoan White Corian (Standard)



Black Quartz Corian

FLECKLESS FABRICS



Just Fleckless 01 Nature



Just Fleckless 05 Camel



Just Fleckless 10 Navy



Just Fleckless 403 Bambus



Just Fleckless 710 Moon Grey



Just Fleckless 750 Olive Grey

MICRO FIBRE FABRICS



Alsace Blue



Alsace Ivory



Alsace Sand



Nubilux 709 Argent

FLECKLESS FABRICS

The material of this upholstery fabric can be easily cleaned with a cotton cloth and distilled water, since each individual yarn was already coated with a newly developed stain guard before processing. This effective precautionary measure does not require any compromise in feel or visual appearance.

The proof lies in the fine structural pattern and super-soft texture of Just Fleckless. 85% Polyester, 15% Viscose. Weight: 710 g +/- 5%. Durability with a Martindale of 80,000.



These descriptions, illustrations and dimensions are not contractual binding.



X4° DIMENSIONS

Overall Length	12.09 m	39'8"
Hull length	11.5 m	37'9"
LWL	10.4 m	34'1"
Beam	3.81 m	12'6"
Standard draft	2.1 m	6'11"
Deep draft	2.4 m	7'10"
Ballast (standard)	3,050 kg	6,724 lbs
Displacement (light)	8,100 kg	17,857 lbs

ENGINE/TANKS

Engine diesel	21.6 kW	29 HP
Fuel tank	180 Ltr	48 Gal (US)
Water tank	245 Ltr	65 Gal (US)

SAIL AREAS

Mainsail (aluminium mast)	46 m ²	495.1 ft ²
Selftacking Genoa (87%)	30 m ²	322.9 ft ²
Overlapping Genoa (106%)	37 m ²	398.3 ft ²
Spinnaker (asymmetric)	130 m ²	1,399 ft ²

Sail areas are based on standard mast. Fractional, tapered silver anodized aluminium mast is standard 2-spreader aluminium mast. Optional carbon mast/boom on request.

X-Yachts[®]
WORLD CLASS SINCE 1979